

# Scoop Bins

Next generation in bulk merchandising



**siffron**®  
always on

800.422.2547 • [www.siffron.com](http://www.siffron.com)



SIMPLICITY

# Scoop Bins

Treat shoppers to a transparent experience



## Scoop Bins

Improve customer interaction and differentiate from competitors by adding bulk Scoop Bins into your retail environment. Bulk Scoop Bins, provide customers the opportunity to pick and mix various products at their discretion.

Using included product scoops attached to each bin, customers can fill up as much or as little product as they require. This reduces packaging waste and ensures the displayed product is consumed without waste.

Scoop Bins grab customer attention, are easy to use, and improve overall gross margins versus similar pre-packaged products.

- Individual scoops appeal to allergic and hygiene-aware shoppers.
- Available with catch tray for easy removal of crumbs and sugar.
- Available with shutter to avoid accidental overflowing.
- Transparent body - scoop and top lid black as standard.



Easy to use

# Why Scoop Bins are so effective

- Allows customers to pick and choose merchandise
- Portion control - less waste
- Easy to use
- First in / first out - guarantees freshness
- BPA / EA Free
- NSF Compliant Material

Easy to  
install  
and  
maintain!

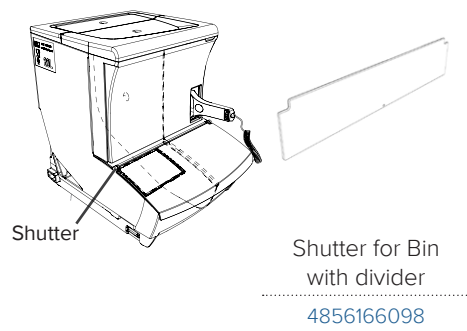
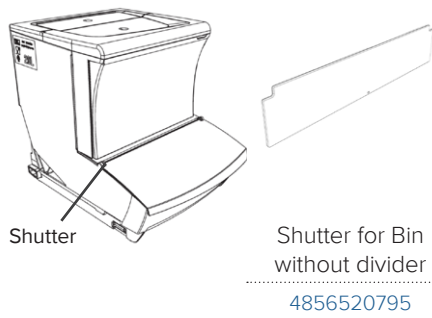
**BPA/EA  
FREE**

## Flow Control with Shutter

Certain merchandise flows too easily on the angled floor of the bin. When free-flowing merchandise is displayed using Scoop Bins, shutters will slow down the flow and avoid accidental overflowing.

Note: Small merchandise with smooth surfaces will move freely.

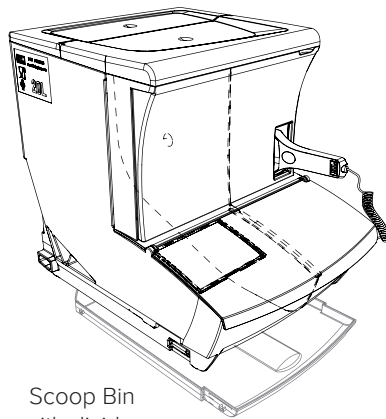
| Category             | Merchandise       |
|----------------------|-------------------|
| Confectionery        | Chocolate Candies |
| Pasta, Rice & Grains | Rice              |
|                      | Cracked Wheat     |
|                      | Bulgur            |
|                      | Beans             |
| Nuts & Seeds         | Pepitas           |
|                      | Chia Seeds        |
| Cereals & Muesli     | Corn Flakes       |



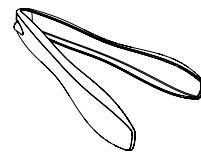
# Scoop Bins



Scoop Bin  
4855014827



Scoop Bin  
with divider  
4852374281



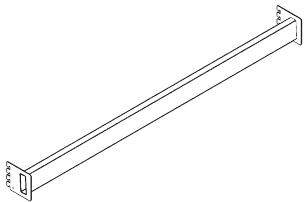
Scoop Tongs  
4854994768

**!** For long or otherwise cumbersome merchandise, we recommend you replace the scoop with a tong. Tongs sold separately.

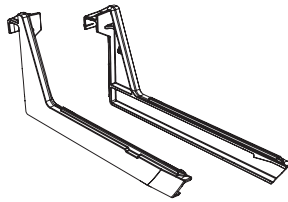
| Part #     | Description                         | Dimensions                | Capacity         |
|------------|-------------------------------------|---------------------------|------------------|
| 4855014827 | Scoop Bin w/ Sugar Tray             | 12" W x 13.6" H x 14.8" D | 5.28 G (20 L)    |
| 4637129392 | Scoop Bin w/ Sugar Tray             | 8" W x 13.6" H x 14.8" D  | 2.64 G (12.5 L)  |
| 4633988273 | Scoop Bin w/o Sugar Tray            | 8" W x 13.6" H x 14.8" D  | 2.64 G (12.5 L)  |
| 4852374281 | Scoop Bin w/ Divider w/ Sugar Tray  | 12" W x 13.6" H x 14.8" D | 2.64 G (10 L) x2 |
| 4630828548 | Scoop Bin w/ Divider w/o Sugar Tray | 12" W x 13.6" H x 14.8" D | 2.64 G (10 L) x2 |
| 4854994768 | Scoop Tongs                         | 2.75" W x 1.25" H x 8" L  | N/A              |

## Mounting on Crossbar

- Install the crossbar and place brackets in the desired position.
- Tilt and slide the scoop bin onto the brackets.
- Scoop Bin pulls out on brackets for easy stocking.



Crossbar  
4639743773



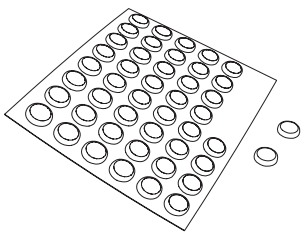
Mounting Brackets  
4858644983



**!** Installation on the crossbars is the preferred option when whole section of bins are to be installed.

## Mounting on Shelves

- Install four bumpers per bin - one per corner of the bin bottom.
- Place the bin on the shelf.



Cylindrical Bumper  
8207511700



**!** This is the more economical option, ideal when only a few bins are installed into existing fixtures.

## Re-merchandising

### First in / First out

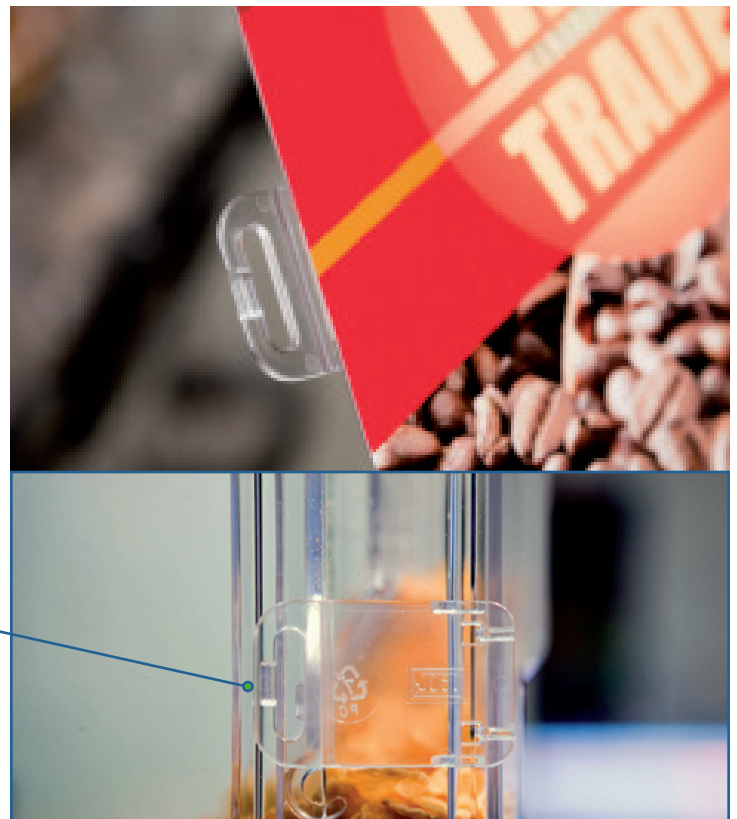
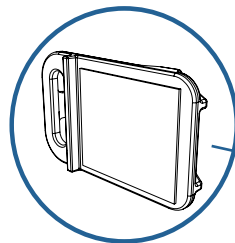
- The angled floor of our scoop bins promotes automatic stock rotation to ensure product freshness and quality.
- Re-merchandising is done through the top lid which can be fully removed or just opened.
- The scoop bin can be pulled out for easy refill without having to remove the bin from the fixture. If mounted on crossbar.



## In-Store Communication

### Create differentiation with a customized shop-in-shop display

- For scoop bins, you can use both the consumer lid label holder or the front to display product and/or price information.
- For maximized footprint in your bulk section, engage in category organization, branding, special offers or promotions.
- Our scoop bins can be equipped with a perpendicular holder to support shelf talker or aisle sign to communicate to customers.



| Label Holder | Label Size      |
|--------------|-----------------|
| 485847331    | 4.1" W x 2.9" H |



8181 Darrow Road  
Twinsburg, OH 44087

## Scoop Bins

---

Next generation in bulk merchandising

2023.10.30

### Ordering is easy!

---

Phone **1.800.422.2547**  
Fax **815.877.7454**  
Web **[www.siffron.com](http://www.siffron.com)**

call toll free in North America  
fax us your purchase order  
buy and find resources online

